

GLOW CTC LED

OFFICES | RETAIL | SCHOOLS | HEALTHCARE | HOSPITALITY



DESIGNED, MANUFACTURED AND ASSEMBLED IN THE UK

FEATURES & FUNCTIONS

- Fully Dimmable 0-100%
- 3000—5700 Kelvins
- IP22
- Opaque Diffuser 150° light distribution
- Control via wireless remote or wall controller
- Optional Integrated 3hr maintained emergency
- 50,000hr lifetime LM80 B20
- High Lumen Active LED Output
- Compatible with recessed sensor
- Maintenance Free
- Environmentally Friendly
- Simple installation with plug in power supplies

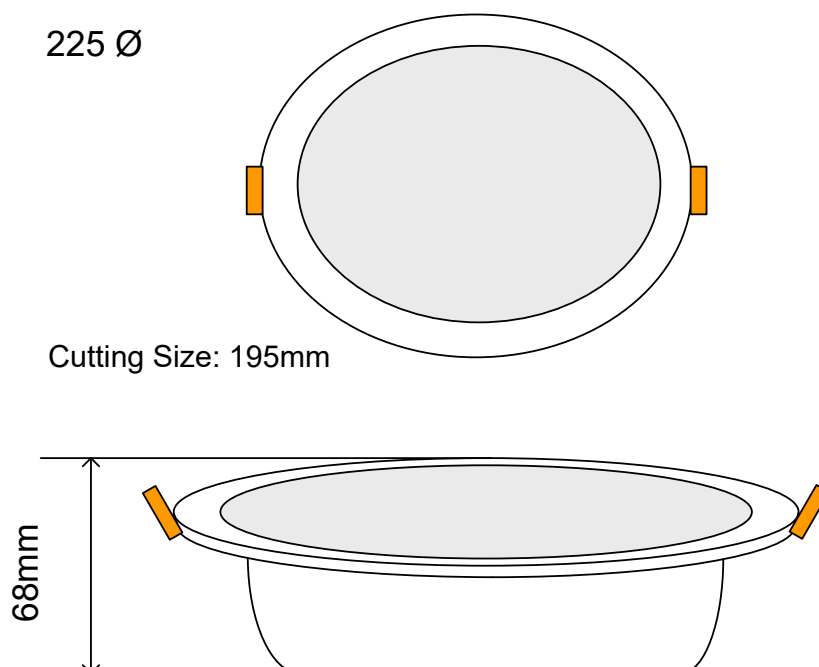


The Glow CTC (Colour Temperature Change) is capable of providing enormous cost savings and allows for the creation of a variety of application-specific environments.

Offering white light colour changing anywhere between Warm white 3000K to Day white 5,700K to suit mood, task or time of day, via RF control. The right colour temperature at the right time has the power to increase productivity and alter mood.

GLOW SPECIFICATION

PRODUCT	GLOW CTC
Product Code	GL225-CTC
Supply Voltage	100—240 VAC, PFC = 0.93*
Driver Control	RF (Radio Frequency) Control—2.4GHz
Power Rating (Circuit)	30 watts
Lumens	3600
LED Lifetime	50,000 hours LM-80 B20
Ingress	IP44 (front face when installed)
Body & Lens Material	White aluminium frame powder coated, Zintec back
Operating Temperature	-20°C to +50°C Ambient
Light Cooling	Convection
Colour Rendering	3000—5700 Kelvins (3K, 4K, 5K, 5.7K Quick pre set options)
Compliance	UKCA, CE, RoHS 2011/65/EU, EMC 2014/30/EU, LVD 2014/35/EU
Dimensions LxWxH (mm)	225 ø 68mm (H) Cutting Size: 195mm
Weight	825g
Mounting	Ceiling Recessed
*Plug in power supplies. Emergency versions available—3 hour maintained, integrated into LED luminaire. Dims to 10% of original output.	



ORDER CODES

ORDER CODE	DESCRIPTION	LUMENS (LM)	WATTS (W)	EFFICACY (LM/W)
GLOW				
GL225	GLOW-225ø 68MM-30W-COLOURTEMPCHANGE	3600	30	120
KELVINS				
3000-5700K	COLOUR CHANGING—PRESET OPTIONS 3, 4, 5, 5.7K			
DIMMING				
STD	STANDARD RF			
DALI	DALI DIMMING			
SENSOR				
HIR22	RECESSED HIGH BAY PIR W. DAYLIGHT HARVESTING			
EMERGENCY				
EMERG	3HR EXTERNAL EMERGENCY KIT			
CONTROLLER				
1049	HAND CONTROLLER FOR COLOUR TEMP & DIMMING			
1046	WALL SWITCH FOR COLOUR TEMP & DIMMING			
HRC-11	CONTROLLER FOR SENSOR			

All products come with 1 meter of 3 core 1.0mm AC cable and suspension brackets.

Please enquire for any other or bespoke requirements.

