

LUMIROD LED

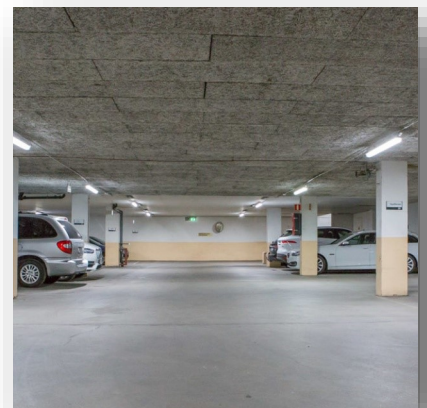
**LOW BAY | CANOPY | LOADING AREAS
| FACTORY AREAS | MULTI-STORY CAR PARKS**



DESIGNED, MANUFACTURED AND ASSEMBLED IN THE UK

FEATURES & FUNCTIONS

- Fully Dimmable 0-100%
- 59,000hr lifetime LM-85 B5
- IP66, IK08 housing, non-corrosive, sealed
- Intelligent Controls: Microwave
- DALI, 010v, Switch Dim Power Supply
- Optional Integrated 3hr maintained emergency
- 5300 Kelvins
- Linear, Low Bay solution
- High Lumen Active LED Output
- Maintenance Free
- Environmentally Friendly
- Simple installation with three core PVC cable complies with IEC 60227 52 / UL 94V0

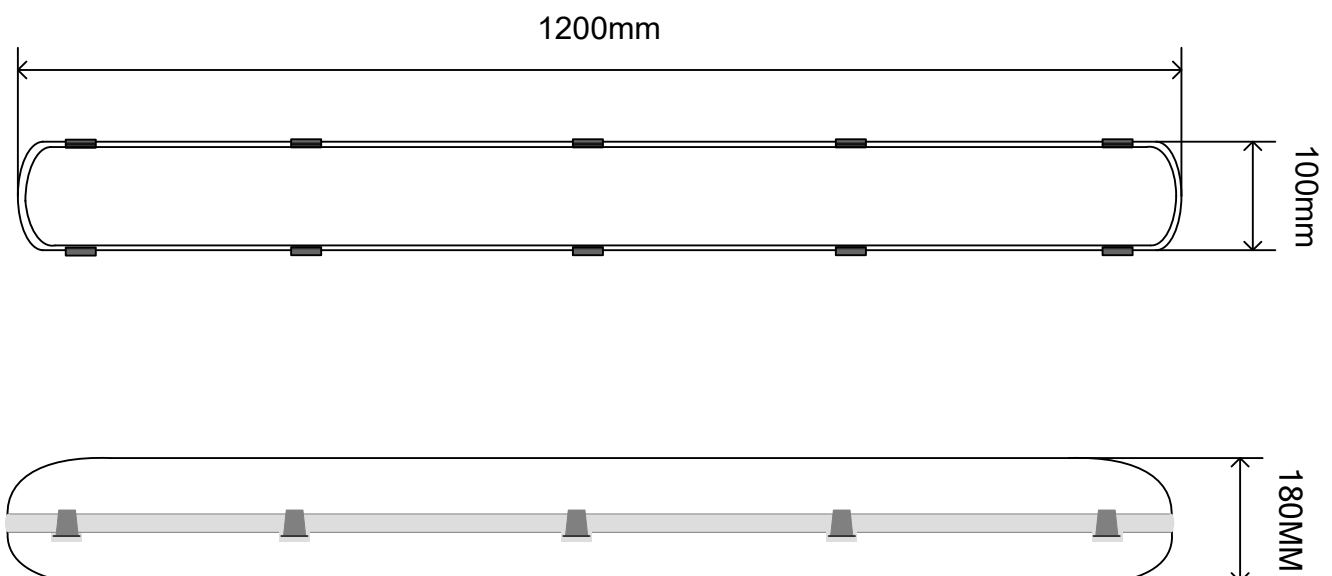


Efficient, Effective & Reliable, the LumiROD has been designed and engineered to ensure the light output is maximised to provide an intense usable light.

This minimum maintenance LED lighting solution can be combined with a Microwave or PIR sensor and wireless controls which provides, Tri-level dimming, motion detection and power switching for increased energy savings.

LUMIROD SPECIFICATION

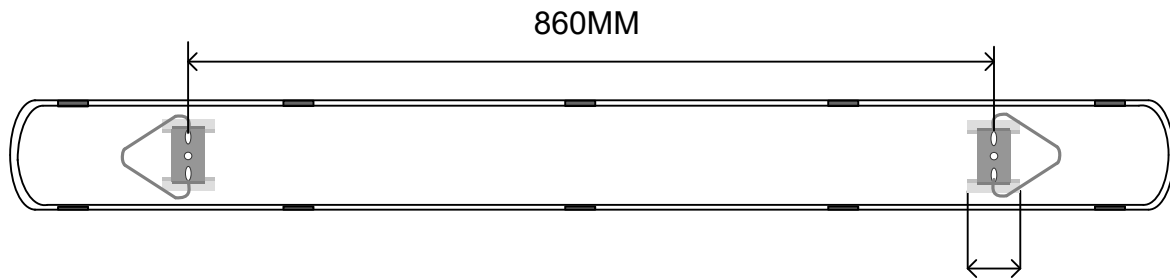
| PRODUCT | LUMIROD 414 | LUMIROD 416 | LUMIROD 419 |
|--|---|-------------|-------------|
| Product Code | LR414-5.3K | LR416-5.3K | LR419-5.3K |
| Supply Voltage | 220—240 VAC, PFC = 0.95 | | |
| Power Rating (Circuit) | 40 watts | 60 watts | 80 watts |
| Lumens | 7290 | 10800 | 14400 |
| LED Lifetime | 59,000 hours LM-85 B5 | | |
| Ingress | IP66 | | |
| Body & Lens Material | GRP V2 IK08 Housing, Non-Corrosive | | |
| Operating Temperature | -40°C to +55°C Ambient | | |
| Light Cooling | Convection | | |
| Colour Rendering | Standard 5300 Kelvins (+/- 2.5%) Ra <80+ | | |
| Compliance | UKCA, CE, RoHS 2011/65/EU, EMC 2014/30/EU, LVD 2014/35/EU | | |
| Dimensions LxWxH (mm) | 1200 x 100 x 180 | | |
| Weight | 2.6kg | | |
| Mounting | Direct to flat surface or suspended (comes with surface/suspension) | | |
| Emergency versions available—3 hour maintained, integrated into LED luminaire. Dims to 10% of original output. | | | |


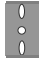


BRACKET DISTANCE

Triangle Bracket for Suspension

Bracket for Surface Mount



 X2
  X2
 COMES WITH PRODUCT

ORDER CODES

| ORDER CODE | DESCRIPTION | LUMENS (LM) | WATTS (W) | EFFICACY (LM/W) |
|------------|---|-------------|-----------|-----------------|
| LUMIROD | | | | |
| LR414 | LUMIROD-120CM-40W-5.3K | 7290 | 40 | 198 |
| LR416 | LUMIROD-120CM-60W-5.3K | 10800 | 60 | 180 |
| LR419 | LUMIROD-120CM-80W-5.3K | 14400 | 80 | 180 |
| KELVINS | | | | |
| 5.3K | 5300 KELVIN LEDS | | | |
| DIMMING | | | | |
| STD | STANDARD 0-10V DIMMING | | | |
| DALI | DALI DIMMING | | | |
| SENSOR | | | | |
| MW | MICROWAVE | | | |
| EMERGENCY | | | | |
| EMERG | 3HR EMERG KIT INTEGRATED INTO LUMINAIRE | | | |
| CONTROLLER | | | | |
| HRC-05 | HANDHELD CONTROLLER FOR SENSOR | | | |

All products come with 1 meter of 3 core 1.0mm AC cable and suspension/surface mount brackets. Please enquire for any other or bespoke requirements.