

SUNBEAM LED

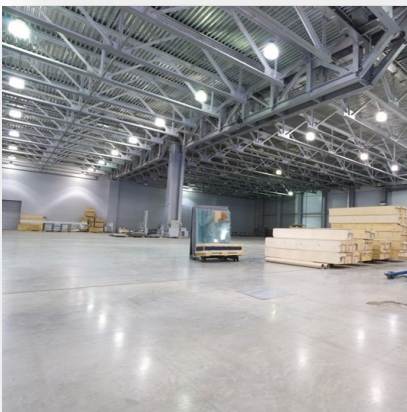
WAREHOUSE | LOW BAY | HIGH BAY
| AISLES | PRODUCTION | AREA



DESIGNED, MANUFACTURED AND ASSEMBLED IN THE UK

FEATURES & FUNCTIONS

- Fully Dimmable 0-100%
- 50,000hr lifetime B10/90
- IP66—IK10 Protection
- In-built dial switch 100-200w
- 60 - 120° Lenses
- Intelligent Controls: Microwave
- 5000 Kelvins
- Potentiometer for setting max power output
- High Lumen Active LED Output
- Maintenance Free
- Environmentally Friendly
- Simple installation with three core PVC cable complies with IEC 60227 52 / UL 94V0

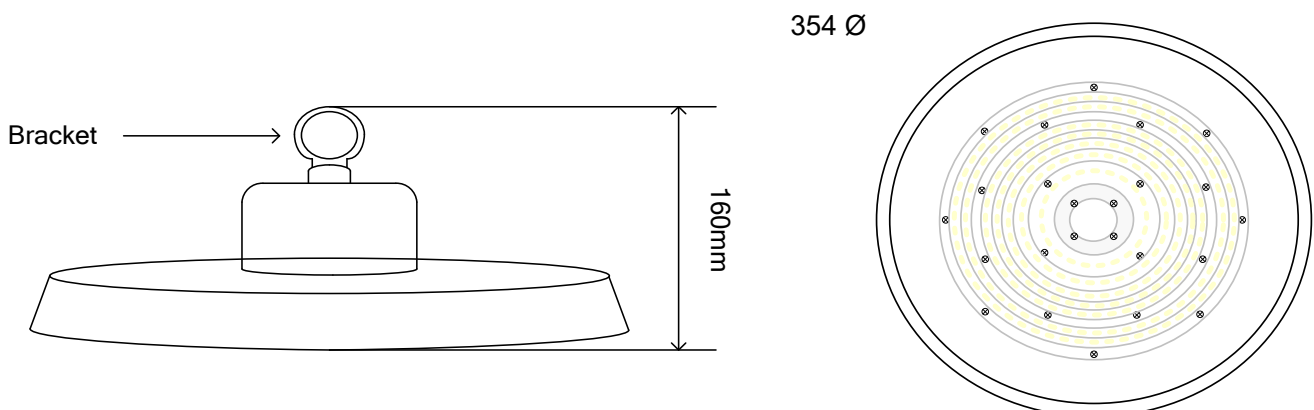
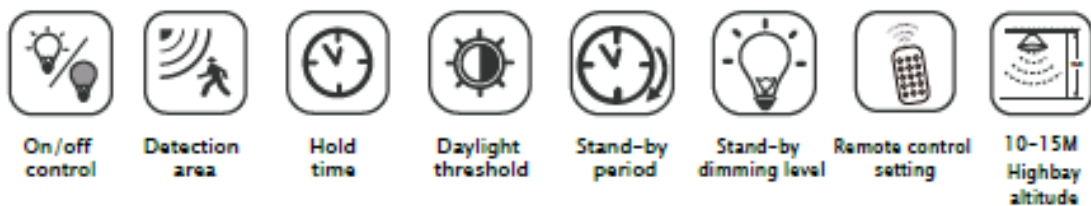


Efficient & Reliable, the SunBEAM has been designed and engineered to ensure the light output is maximised to provide an effective LED light for use in multiple applications.

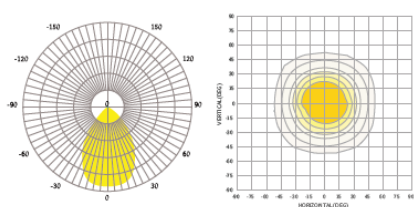
This minimum maintenance LED lighting solution comes with a Microwave sensor and wireless controls which provide, Daylight Harvesting, Motion Detection and Power Switching, not only can you expect energy savings but reduced maintenance costs and a longer lifespan.

SUNBEAM SPECIFICATION

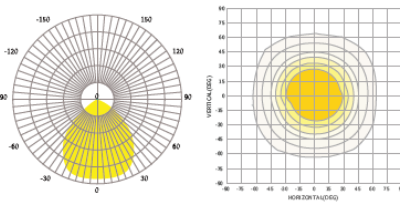
Product	SunBEAM 100	SunBEAM 150	SunBEAM 200
Product Code	SB100-CW-90	SB150-CW-90	SB200-CW-90
Supply Voltage	100-277 VAC, PFC=0.95		
Power Rating (Circuit)	100 watts	150 watts	200 watts
Lumens	20,000	30,000	40,000
LED Lifetime	>50,000 hours B10/90		
Ingress	IP66 IK10		
Body Material	Die-cast powder coated construction		
Operating Temperature	-30°C to +45°C Ambient		
Light Cooling	Convection & thermal gasket		
Colour Rendering	5000 Kelvins (+/- 2.5%) Ra <80+		
Compliance	CE, RoHS 2011/65/EU, EMC 2014/30/EU, LVD 2014/35/EU		
Dimensions LxWxH	ø354 x H160mm		
Weight	3.0kg		
Mounting	Suspended - drop rods, jack chain / catenary wire		



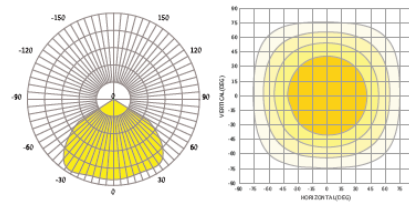
BEAM ANGLES



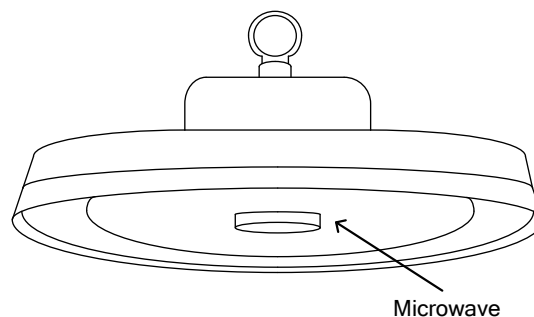
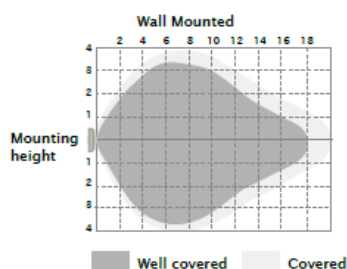
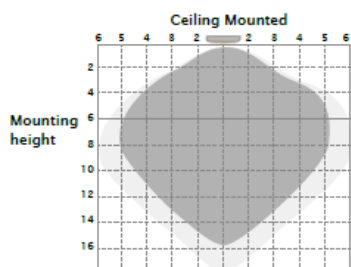
60°



90°



120°



MICROWAVE FUNCTIONS

1. Automatically ON/OFF function:

Light on when detect movement and off after people leave at night. Applications: Corridor, Staircase.



With sufficient daylight, even when motion detected, light remains OFF.



With insufficient daylight, when motion detected, light ON.



After the last detection and the present hold time elapsed, light OFF.

2. No daylight function

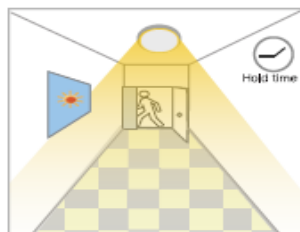
The daylight threshold is set to "Disable".

Light on when detect movement, After people leave, Light off after stand-by period.

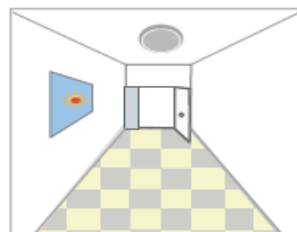
Applications: Dim places such as Basement Parking, Underpass.



When motion is detected, the sensor will switch on the light to 100% brightness.



After people leave the detection area, light remains 100% brightness within hold time.



After the last detection and the present hold time elapsed, light OFF.

3. Function Demo - Dimmable control/Corridor function



With sufficient daylight, even when motion detected, light remains OFF.



With insufficient daylight, when motion detected, light ON.



After last detection, the light will be dimmed down to the stand-by dimming level (10%,20%,30% or 50%)



After the stand-by period, light OFF.

Application ___ Daylight priority



Light automatically on when ambient brightness is lower than preset lux level.



With insufficient ambient brightness, light dims to 100% when motion detected .



Light dims to standby level if no motion detected after holdtime.



Light off when ambient lux level is higher than preset lux amount.

ORDER CODES

ORDER CODE	DESCRIPTION	LUMENS (LM)	WATTS (W)	EFFICACY (LM/W)
SUNBEAM				
SB100	SUNBEAM-100W-MW-5000K	20000	100	200
SB150	SUNBEAM-150W-MW-5000K	30000	150	200
SB200	SUNBEAM-200W-MW-5000K	40000	200	200
LENS OPTION				
120	120 DEGREE DISTRIBUTION			
90	90 DEGREE DISTRIBUTION			
60	60 DEGREE DISTRIBUTION			
CONTROLLER				
HD05	HANDHELD CONTROLLER FOR SENSOR			

Product comes with Microwave, and suspension bracket as standard.

Please enquire for any other or bespoke requirements.

