

SUNSHINE LED

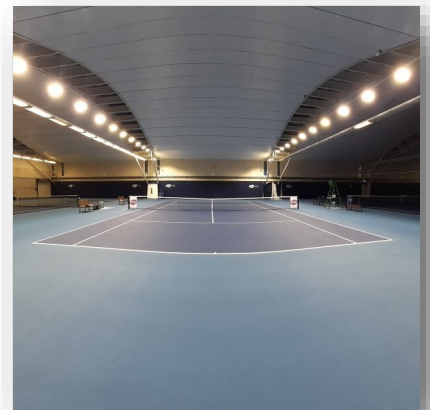
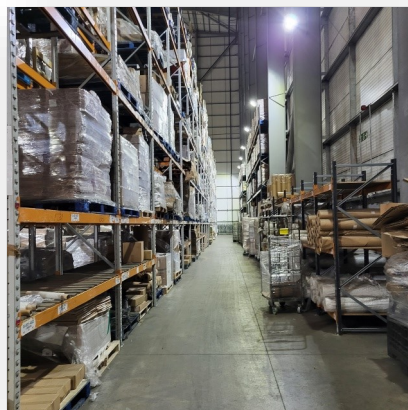
FLOOD | AREA | SECURITY | CAR PARK | SPORTS | AQUARIUM



DESIGNED, MANUFACTURED AND ASSEMBLED IN THE UK

FEATURES & FUNCTIONS

- 1-10v Dimming (optional)
- DALI 2 (optional)
- 5000—10000 kelvin options
- 30, 60, 90, T3 Lens Options
- Intelligent Controls: Combined Microwave & PIR
- 60000hr lifetime LM85– B5
- High Lumen Active LED Output
- Maintenance Free
- Environmentally Friendly
- Simple installation with three core PVC cable complies with IEC 60227 52 / UL 94V0

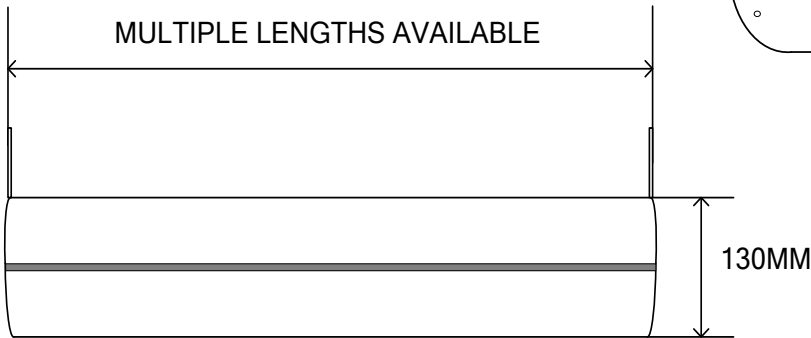
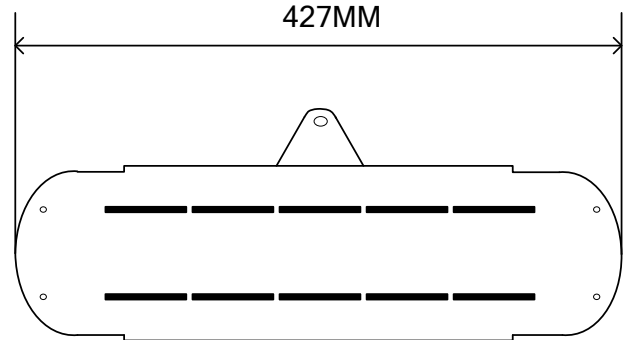
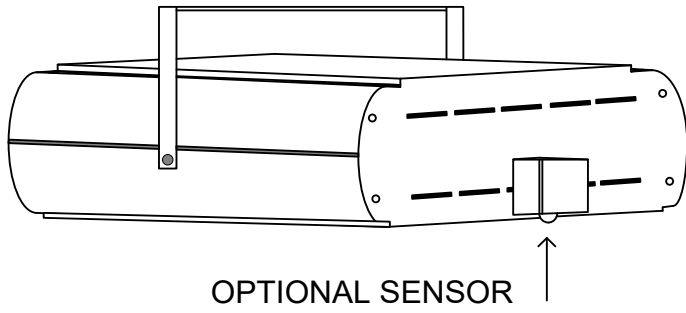


The SunSHINE floodlight has been developed to ensure maximum energy efficiency in combination with a high quality light output. Manufactured from corrosion resistant aluminium makes it suitable for almost every outdoor application.

SUNSHINE SPECIFICATION

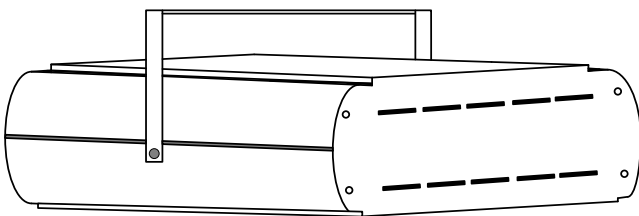
Product	SunSHINE 1	SunSHINE 2	SunSHINE 3	SunSHINE 4	SunSHINE 5
Product Code	SH1-5K	SH2-5K	SH3-5K	SH4-5K	SH5-5K
Supply Voltage	90—305 VAC				
Power Rating (Circuit)	60 watts	120 watts	180 watts	240 watts	300 watts
Lumens	9,888 +/-5%	19,973 +/-5%	29,960 +/-5%	41,770 +/-5%	50,711 +/-5%
Optical Output	Various Optical Outputs Available. Bespoke lens for Tennis & Padel Courts, multiple modules can lead to bespoke optical array for each application.				
LED Lifetime	>60,000 hours LM-85 B5				
Ingress	IP67—IK10				
Body Material	Corrosion Resistant Aluminium				
Operating Temperature	-40°C to +60°C Ambient				
Light Cooling	Heat Dissipation				
Colour Rendering	5,100 Kelvins Standard (Options for: 5,700Kelvins—10,000Kelvins & Royal Blue) +/- 5%				
Compliance	CE, RoHS 2011/65/EU, EMC 2014/30/EU, LVD 2014/35/EU				
Dimensions LxWxH (mm)	74 x 427 x 130	145 x 427 x 130	216 x 427 x 130	289 x 427 x 130	360 x 427 x 130
Weight*	2.5kg	3.8kg	5.25kg	6.1kg	7.1kg
Mounting	U shaped adjustable bracket				
*Option for remote drivers to reduce weight of overall product by approx. 1.15kg					

Product	SunSHINE 10	SunSHINE 12	SunSHINE 14	SunSHINE 15	SunSHINE 16
Product Code	SH10-5K	SH12-5K	SH14-5K	SH15-5K	SH16-5K
Supply Voltage	90—305 VAC				
Power Rating (Circuit)	600 watts	640 watts	840 watts	900 watts	920 watts
Lumens	99,374 +/-5%	116,400 +/-5%	135,240 +/- 5%	147,312 +/- 5%	150,945 +/- 5%
LED Lifetime	>60,000 hours LM-85 B5				
Ingress	IP67—IK10				
Body Material	Corrosion Resistant Aluminium				
Operating Temperature	-40°C to +60°C Ambient				
Light Cooling	Heat Dissipation				
Colour Rendering	5,100 Kelvins Standard +/- 5%				
Compliance	CE, RoHS 2011/65/EU, EMC 2014/30/EU, LVD 2014/35/EU				
Dimensions LxWxH* (mm)	700 x 427 x 130	850 x 427 x 130	990 x 427 x 130	1065 x 427 x 130	1150 x 427 x 130
Weight	13.5kg	15kg	16.5kg	17.1kg	17.8kg
Mounting	U shaped adjustable bracket				
*Option for remote drivers to reduce weight of overall product by approx. 1.15kg					

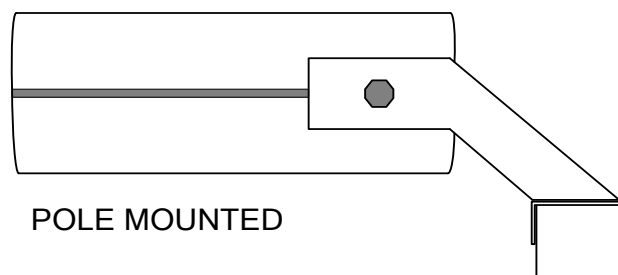
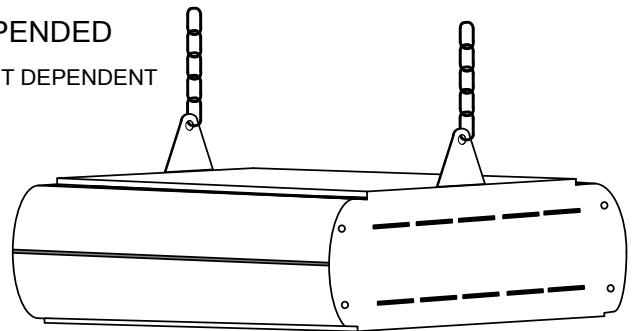


BRACKET OPTIONS

U BRACKET



SUSPENDED
WEIGHT DEPENDENT



ORDER CODES

ORDER CODE	DESCRIPTION	LUMENS (LM)	WATTS (W)	EFFICACY (LM/W)
SUNSHINE				
SH1	SUNSHINE1-60W-5000K	9668	60	161
SH2	SUNSHINE2-120W-5000K	19973	120	166
SH3	SUNSHINE3-180W-5000K	29960	180	166
SH4	SUNSHINE4-240W-5000K	41770	240	174
SH5	SUNSHINE5-300W-5000K	50711	300	169
BESPOKE OPTIONS FOR SUNSHINE 10—16 PLEASE CONTACT US				
DIMMING				
STD	STANDARD 0-10V DIMMING			
DALI	DALI DIMMING			
OPTIC OPTIONS				
90	90 DEGREE LIGHT DISTRIBUTION			
60	60 DEGREE LIGHT DISTRIBUTION			
30	30 DEGREE LIGHT DISTRIBUTION			
T3	T3 DEGREE LIGHT DISTRIBUTION			
SENSOR				
HIM32	COMBINED MICROWAVE AND PIR			
CONTROLLER				
HRC-11	HANDHELD CONTROLLER FOR SENSOR			
BRACKETS				
U	U BRACKET—SURFACE & POLE MOUNT			
S	TRIANGLE BRACKET—SUSPENDED			

All products come with 1 meter of 3 core AC cable and U Bracket.

Please enquire for any other or bespoke requirements.

