



LUMIOPTIMA LED

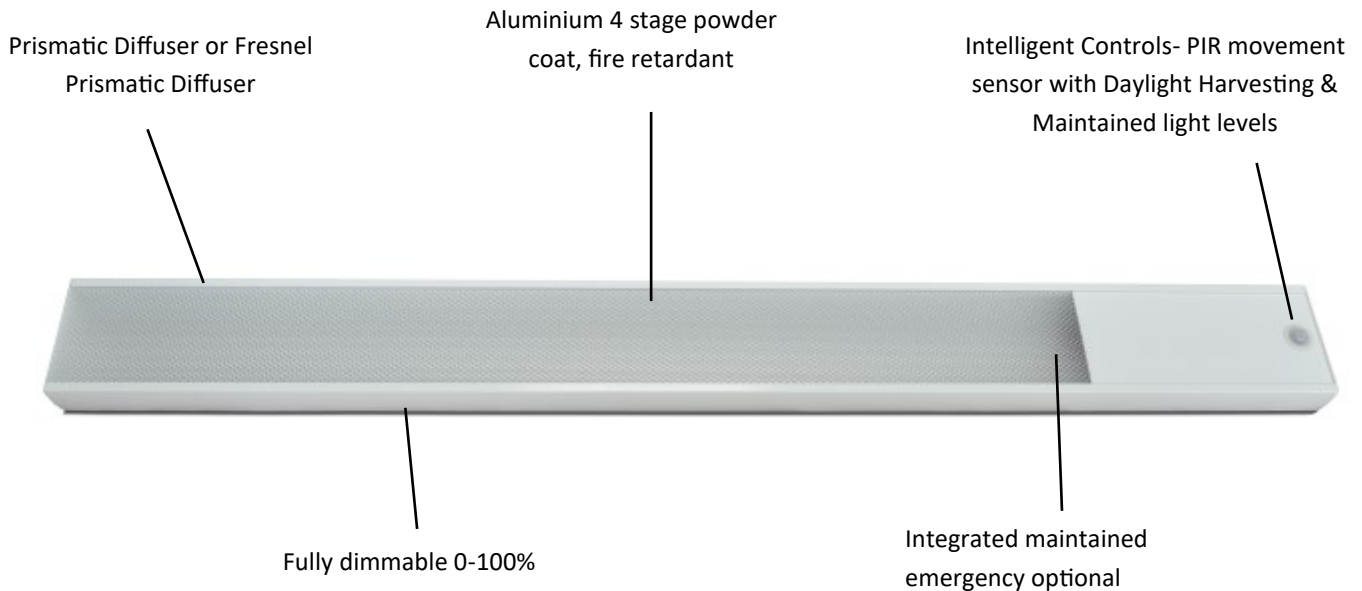
Intelligent energy saving solutions with the LumiOPTIMA collection

MANUFACTURED IN THE UNITED KINGDOM

.....
www.lowenergydesigns.com

STYLISH LOW & HIGH BAY LIGHTING

The LumiOPTIMA is the ultimate cost effective product for Low & High Bay applications. It's contemporary and engineered design makes this the ideal choice for maximising light and minimising power.



Made in the United Kingdom: All of our LED lights are designed and manufactured in the United Kingdom.

Long lasting: The temperature of the LED's have been tested to LM 80 to 59,000+ hours.

Energy Efficient: Our products can be up to 93% more efficient than traditional lighting.

Reliability: Our products have been used in all types of facilities for over 7 years.

Maintenance free: Save money on maintenance costs.

Environmentally friendly: Low carbon footprint— almost all of our components come from local suppliers.

Quick & Easy Installation: Cable connectivity is via the external cable gland (5.0mm to 9.0mm diameter) to the terminal block. We supply a suitable three core PVC cable that complies with IEC 60227 52 / UL 94V0.

Diffuser: Choice of diffusers available to suit your application.

Intelligent Automatic Control: These intelligent controls integrated within the product provide -

Daylight Harvesting which automatically adjusts the LED light output in response to natural light levels.

Maintained Light Levels provide a consistent light output regardless of natural light.

Movement Detection is perfect for applications where there can be low periods of footfall. Utilising all 3 of these intelligent controls will provide you with maximum savings

Light Cooling: Convection & passive air flow keeps the product temperature down prolonging the lifetime of LEDs and the product itself.

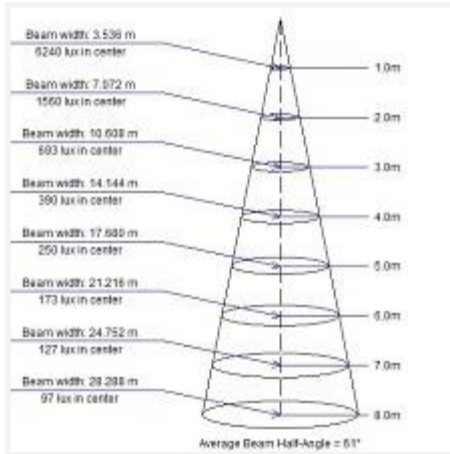
High Lumen Active LED Output: The light output is provided by 900/1800 LEDs running at optimum output, providing active lumen intensity.

Integrated Emergency: Optional emergency available upon request. 3 hour maintained, dims to approx. 10% of original light output.

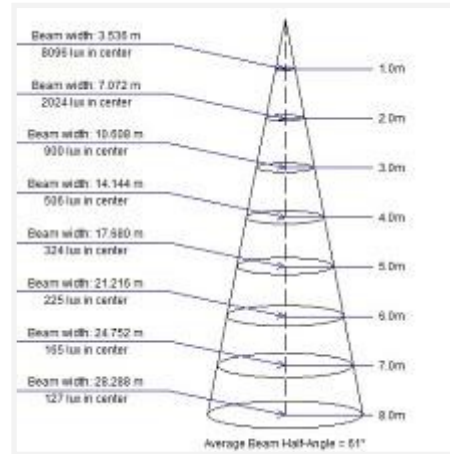
APPLICATION

Direct replacement for 250w - 400w lights. Warehouse, Low Bay, High Bay & Aisle Lighting.

PHOTOMETRIC DATA



LO5212- Prismatic Diffuser



LO5218- Prismatic Diffuser

PRODUCT SPECIFICATION DATA

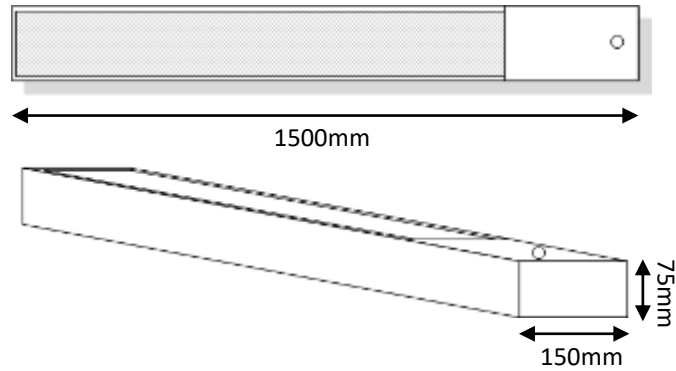
Products	LumiOPTIMA 5212	LumiOPTIMA 5218	LumiOPTIMA 5432
Product Code	LO5212-CW-PD-NP-W-W-2AC-3C	LO5218-CW-PD-NP-W-W-2AC-3C	LO5432-CW-PD-NP-W-W-2AC-3C
Supply Voltage	90 - 305 VAC, PFC = 0.95	90 - 305 VAC, PFC = 0.95	90 - 305 VAC, PFC = 0.95
Power Rating (Circuit) Watts	110	171	310
Lumens (+/-5%)	20100	27672	31500
LED Lifetime	>59,000 LM80		
Ingress	INDOOR IP22		
Body Material	Aluminium 4 stage powder coat, fire retardant. Prismatic or Fresnel diffuser		
Operating temperature	-40°C to + 60°C Ambient		
Light Cooling	Convection & passive air flow waves		
Colour Rendering	5300k (+/- 5%) Ra <80+ typical		
Compliance	CE, RoHS 2011/65/EU, EMC 2014/35/EU, LVD 2014/35/EU		
Dimensions (mm) LxWxH	1500 x 150 x 75	1500 x 150 x 75	1500*x 150 x 75
Weight	5.5kg	5.6kg	6kg
Mounting	Direct to flat surface or suspended		

Emergency- 3 Hour maintained- Integrated into LED luminaire. Dims to 10% of original output.

* Add 300mm to length of product for LO5432 emergency variant

MEASUREMENTS

LumiOPTIMA



Please contact us and let us help you to cut costs and reduce your carbon footprint.



Low Energy Designs Ltd
Unit 9A Sunrise Business Park, Higher Shaftesbury Road,
Blandford Forum
Dorset DT11 8ST
United Kingdom

Tel: + 44 (0) 1258 858171
sales@lowenergydesigns.com