



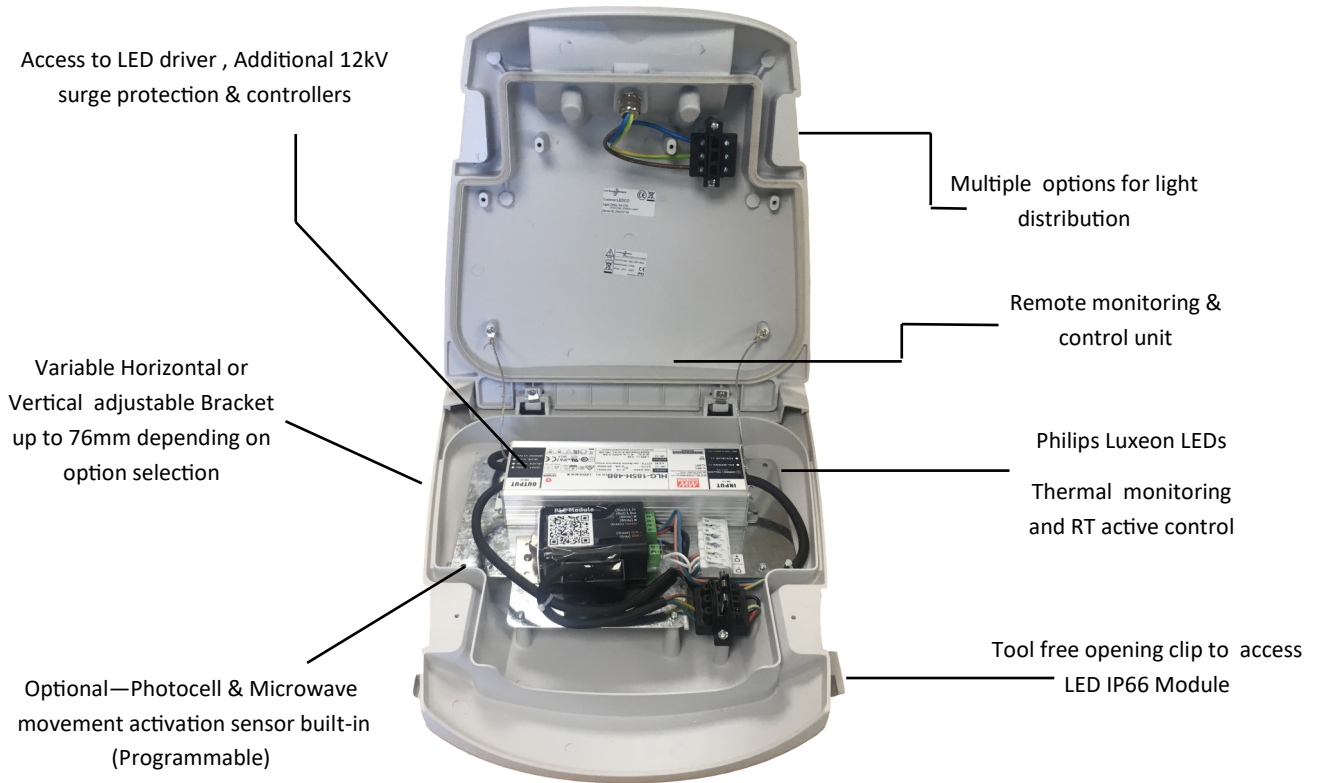
NORRSKEN LED

Intelligent energy saving solutions with the Norrsken collection

www.lowenergydesigns.com

STYLISH STREET LIGHTING

The Norrskan is a high performance, LED Road & Street light. For use in applications such as; Street, Pathway, A Roads, Minor Roads and Car Parks. Utilising Low Energy Designs Advanced Technology.



Photocell: Optional, Automatically activates the LED light output in response to ambient light levels.

Power Supply: 0 -10V dimmable power supply, Computer programmable current setting & soft start

Long lasting: >60,000hr LED lifetime L80 B10

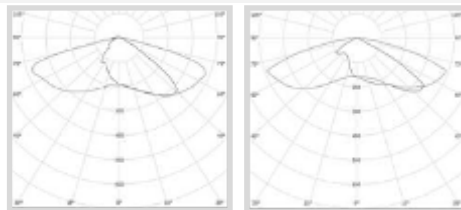
Features: Remote monitoring / control using PLC. Dimming, power management, fault reporting, alarms etc. Generator control, real time fuel monitoring / management, solar power monitoring

Mounting: Vertical & Horizontal -15 to +15° adjustment with 76mm bracket

Colour rendering: Ra>70. 5,000Kelvins

LEDs: Phillips Luxeon LEDs or Sanan dies (DLC)

DISTRIBUTION CURVES



Type II Medium

Type III Medium

Other Custom types available

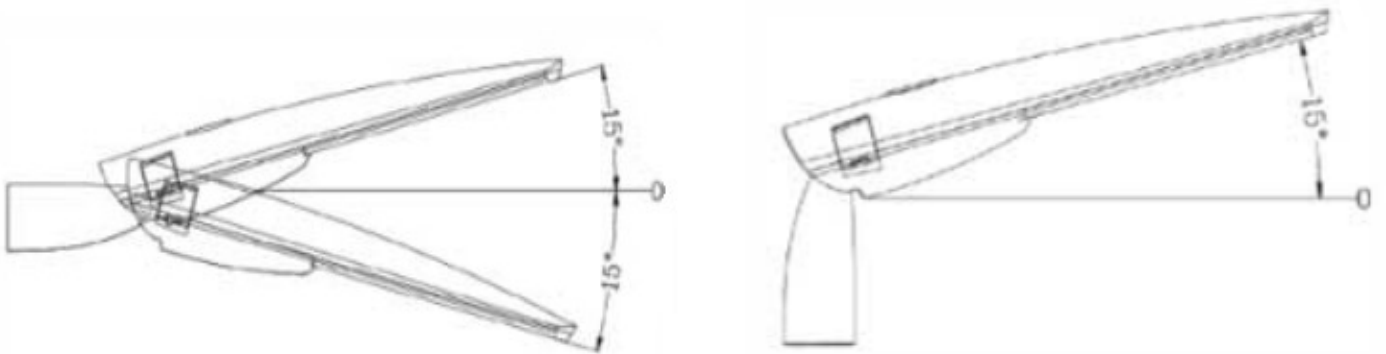


PRODUCT SPECIFICATION DATA

Products	Norrsken 1	Norrsken 2	Norrsken 3	Norrsken 4
Product Code	NO1-5K-XX-NP-G-1AC-3C	NO2-5K-XX-NP-G-1AC-3C	NO3-5K-XX-NP-G-1AC-3C	NO4-5K-XX-NP-G-1AC-3C
Supply Voltage	176—305 VAC			
Power Rating (Circuit) Watts	60w (*80 max)	120w (*120 max)	150w	180w (*185 max)
Lumens (+/-5%)	9,531+/- 3% (8,403**)	18,390 +/- 3%	23,832 +/- 3%	29,227 +/- 3%
LED Lifetime	LM80 >60,000+ L80 B10			
Ingress	IP66 — IK10			
Body Material	Corrosion Resistant Aluminium			
Operating temperature	-40°C to + 70°C Ambient			
Light Cooling	Heat Dissipation (PCM thermal gaskets)			
Colour Rendering	5,000K (+/- 4%)			
Compliance	CE, RoHS 2011/65/EU, EMC 2014/35/EU, LVD 2014/35/EU			
Dimensions (mm) LxWxH	600 x 290 x 100 (excludes bracket dims)		752 x 352 x 100 (excludes bracket dims)	
Weight	6.3kg	6.8kg	8.2kg	8.7kg
Mounting	Vertical & Horizontal - -5 to 15° adjustment with 76mm bracket			

* Maximum output on power supply ** Typical measured output from Goniophotometer of complete product (depending on optics)
 Components may change at anytime to improve products performance

MEASUREMENTS



LED UK have the right to change components at anytime to improve on product without notification Please contact us and let us help you to cut costs and reduce your carbon footprint.

Please contact us and let us help you to cut costs and reduce your carbon footprint.

Low Energy Designs Ltd
Unit 9A Sunrise Business Park, Higher Shaftesbury Road,
Blandford Forum
Dorset DT11 8ST
United Kingdom

Tel: + 44 (0) 1258 858171
sales@lowenergydesigns.com